



4482.30

9.5mm (.375) UP-STA Terminals



Description	Receptacles for tab 9.5x1.2						
Wire section range	4.00-6.00 mm ² (AWG 10-12)						
Max. Insulator Ø	5.1 mm.						
Material	Natural Bronze, 0.5 mm thickness						
Max. Rated current	<table border="1"> <thead> <tr> <th>Wire section (mm²)</th> <th>Current (A)</th> </tr> </thead> <tbody> <tr> <td>4.00</td> <td>26</td> </tr> <tr> <td>6.00</td> <td>34</td> </tr> </tbody> </table>	Wire section (mm ²)	Current (A)	4.00	26	6.00	34
Wire section (mm ²)	Current (A)						
4.00	26						
6.00	34						

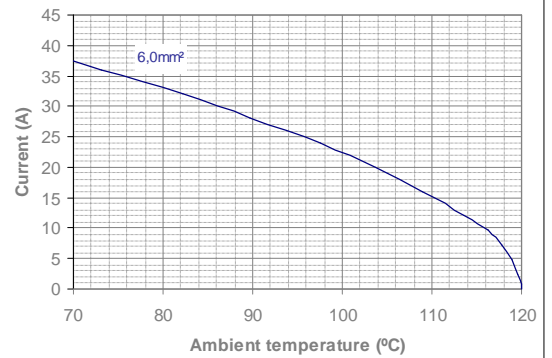
Note: Current carrying capacity according to wire size (IEC 760)

Max. Contact resistance	0.60 mΩ
Note:	Maximal contact resistance with minimal suitable wire size (IEC 760)

Max. Temperature	120°C
Note:	According to DIN 61210 standard

Thermal derating (see graph à)

	ESCUBEDO
1st. Insertion	≤ 80 N
1st. Withdrawal	≤ 80 N
10th. Withdrawal	≥ 30 N



Thermal derating curves
Note: 20% security margin is applied.

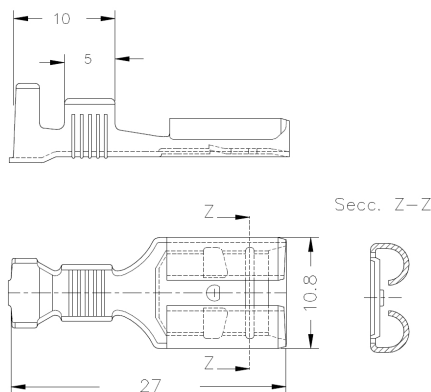
Application tool	MN4382
Wire striping length	6.8 (±0.5) mm

Wire section (mm ²)	Conductor (±0,03)		Insulator (±0,10)		Pull-out force	
	Nominal	Real	Height (mm.)	Width (mm.)	Width (mm.)	DIN46249
4.00	3.54	2.76	4.07	5.66	≥ 350 N	> 400 N
6.00	5.35	2.88	4.08	5.67	≥ 500 N	> 600 N

Note: Values only valid for the application tool specified upwards. The insulator widths are only indicative as they are dependant on the sheath thickness of the wire used.

Packaging 2500 Pieces on 300 mm. Ø x 160 mm. wide cardboard reel, 29 mm terminal chain pitch

Drawing



Approvals

- RoHS Compliant



Document History

Rev. Nr.	Modification	Date	Created/Revised	Approved
1	Creation	09/07/2012	D.Martinez	À.caivet

Disclaimer

Data obtained from Escubedo Laboratory essays, using own methodology, cablings and equipment, done in laboratory conditions and following the indicated standards, errors and omissions excepted. This document has no contractual meaning and it is published only for informative purposes. It can be changed without prior notice. The end customer has the sole responsibility to check these characteristics in its environment and with its own components, manufacturing methods and equipment. See also the full range product overview if available. For further information please visit our web site or contact us.