



4346.00

6.3mm (.250) Standard terminals

Description 6.3mm (.250) Receptacles for connector
Wire section range 2.5 ÷ 6.0 mm² (14 ÷ 10 AWG)
Max. Insulator Ø 5.00 mm.
Material Natural Brass, 0.4 mm thickness
Max. Rated current

Wire section	Current
2.50 mm ²	20 A
4.00 mm ²	26 A
6.00 mm ²	34 A

Note: Maximal carrying capacity for CEI760 Standard

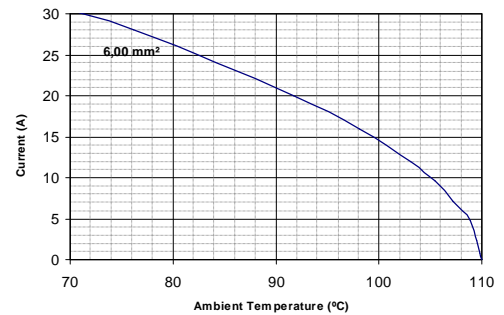
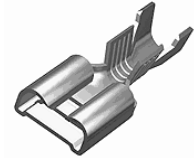
Max. Contact resistance 1.06mΩ
 Note: Method test CEI760 Standard
Max. Temperature 110°C
 Note: As per DIN 61210 standard.

Thermal derating (see graph à)

Insertion/Withdrawal forces

	ESCUBEDO
1st. Insertion	≤ 35 N
1st. Withdrawal	≤ 45 N
10st. Withdrawal	≥ 15 N

Application tool MN4425
Wire stripping length 5.5 (±0.5) mm



Thermal derating curves
 Note: 20% security margin is applied.

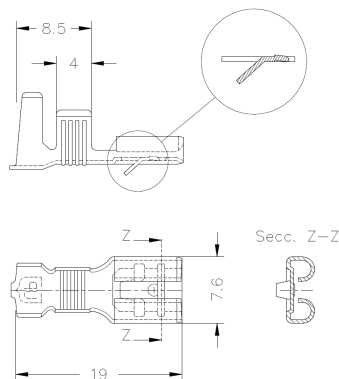
Crimping parameters & Pull out force

Wire section (mm ²)		Conductor (±0,05)		Insulator (±0,10)	Pull-out force	
Nominal	Actual	Height (mm.)	Width (mm.)	Width (mm.)	DIN46249	Value
2.50	2.36	2.15	3.96	6.04	≥ 250 N	> 300 N
4.00	3.96	2.35	3.99	6.04	≥ 350 N	> 400 N
6.00	5.37	2.70	4.02	6.05	≥ 500 N	> 550 N

Note: Values only valid for the application tool specified upwards. The insulator widths are only indicative as they are dependant on the sheath thickness of the wire used.

Packaging 4000 Pieces on 20 mm on 300 mm. Ø x 160 mm. wide cardboard reel, 21.4 mm terminal chain pitch

Drawing



Approvals

- RoHS Compliant
- UL



Document History

Rev. Nr.	Modification	Date	Created/Revised	Approved
1	Update	01/06/2012	D.Martinez	A.Calvet

Disclaimer

Data obtained from Escubedo Laboratory essays, using own methodology, cabling and equipment, done in laboratory conditions and following the indicated standards, errors and omissions excepted. This document has no contractual meaning and it is published only for informative purposes. It can be changed without prior notice. The end customer has the sole responsibility to check these characteristics in its environment and with its own components, manufacturing methods and equipment. See also the full range product overview if available. For further information please visit our web site or contact us.